



SureSteel® Hazard Range

**TEN
YEAR**
MANUFACTURERS
WARRANTY

**PATENT
DRILL&LOCK**
AUST P/NO. 2008202373
NZ P/NO. 568738

**RATED
R13**
SLIP RESISTANCE FOR
MAXIMUM SAFETY

**INSTANT
WALK**
INSTALLATION ALLOWS
IMMEDIATE USE

316
MARINE GRADE
STAINLESS STEEL
CERTIFIED

ISO
GUARANTEE

The CTA SureSteel® range of stainless steel indicators, offers the highest quality tactile combined with stunning appearance and market leading ease of installation.

Tactile guidance systems play an important role for the vision impaired. This means quality is of the utmost importance.

SureSteel® indicators are formed from a single piece of steel so the anchoring spigot will never detach from the tactile head. In addition, CTA's proprietary treatment process ensures that SureSteel® studs and directional ribs will retain their bright appearance for many years.

SureSteel® is designed to ensure mechanical retention to almost all substrates including carpet, concrete, timber, bitumen and tiles. SureSteel® studs come with a R13 slip resistance rating ensuring maximum safety.

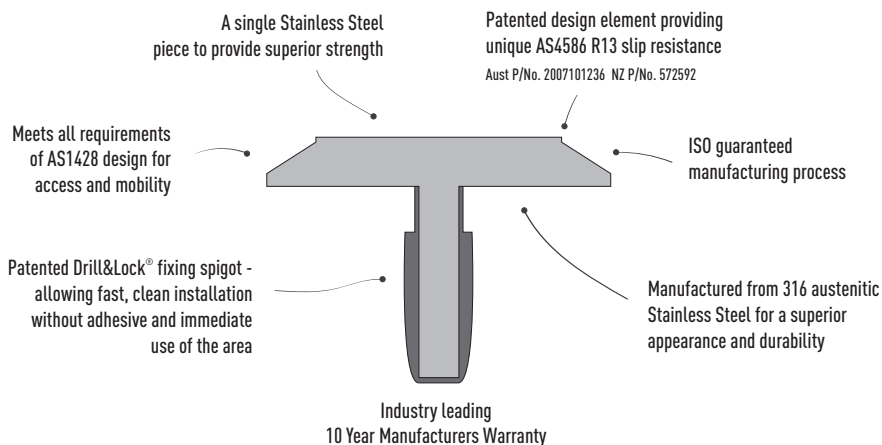
SureSteel® also use CTA's patented, Drill&Lock® technology. This innovative approach eliminates the need for messy adhesives, reducing

both cost and installation time and allows the area to be open to pedestrian traffic immediately.

KEY FEATURES

- Patented R13 safety rating, the highest in the industry
- Available in both hazard (stud) and directional (rib) profiles
- Patented Drill&Lock® technology ensuring an easy, adhesive free install and allows the area to be walked on immediately
- One-piece design ensures strength and reliability - will not become displaced or broken over time
- Also available in Brass, high strength tempered aluminium and fully integrated plate options

Superior design makes SureSteel® tactiles the specifier's choice



COMPLIANCE

All CTA products conform with the requirements of the Australian standards and are tested by NATA certified labs.

Please consult with CTA for relevant test reports:

- AS1428:2009 Design for access and mobility
- AS4586:2013 Slip resistance classifications for new pedestrian surface materials
- NCC - National Construction Codes

LUMINANCE CONTRAST

Please view the CTA Luminance Brochure for details or contact your CTA representative to discuss or request an onsite luminosity test.

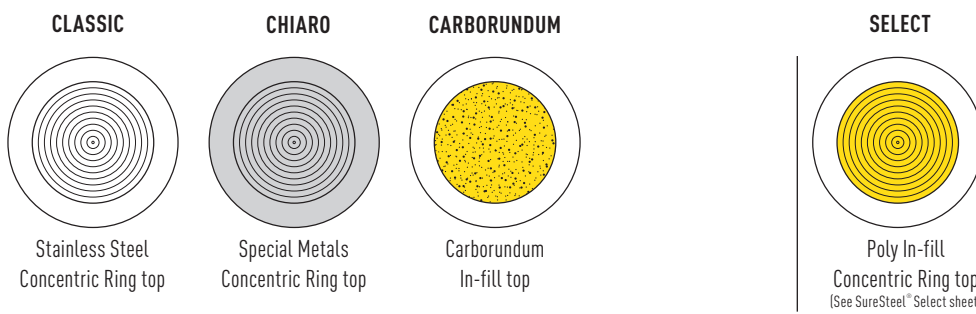
WARRANTY

CTA provides a comprehensive warranty, in accordance with our published warranty statement which can be viewed on cobbletac.com.

PRODUCT VARIATIONS

CTA SureSteel® stainless steel tactile indicators are available in a range of styles to suit your aesthetic and safety requirements. Not all products are available in all variations - please see the product option tables for the complete range of combinations. CTA also produces a SureSteel® Select range, which offers specifiers a greater range of colours to meet luminance requirements on a larger number of substrates. Please see the SureSteel® Select Data Sheet for details.

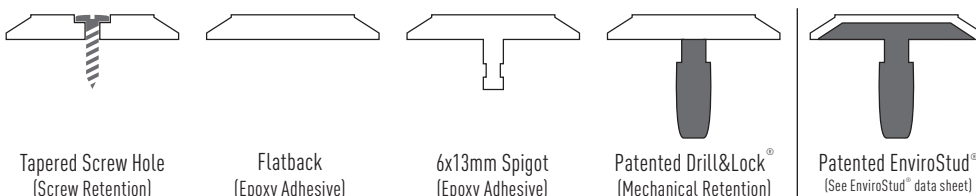
TOP FACE OPTIONS



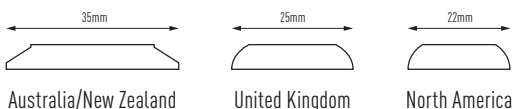
SIDE FACE OPTIONS



INSTALLATION/FIXING OPTIONS



INTERNATIONAL STANDARDS



CTA COMPLETE CARE MAINTENANCE

Asset owners have a Duty of Care responsibility to maintain access product within design performance parameters. CTA offers a fully integrated maintenance program which includes regular scheduled maintenance and replacement of worn components where necessary. Please contact your CTA representative for information on our "Complete Care Program."

CTA INSTALLERS

CTA's accredited installers are available to do the installation work for you - with short turnaround times and guaranteed workmanship. Our installation team is the largest and most experienced in the nation, so you can rest assured you are in safe hands.

MORE INFORMATION

Product Installation, list of Approved Products and Material Safety Data Sheets are available on request.

CALL CTA ON 1300 282 282
TO ARRANGE A MEETING WITH A SALES CONSULTANT

VICTORIA 1300 282 282 NEW SOUTH WALES 1300 282 679 QUEENSLAND 1300 282 753 WA 1300 282 282



WWW.CTAGROUP.COM.AU

Drill&Lock® adhesive free install The environmentally friendly option

SureSteel® sets a new standard for Green tactile installation - CTAs patented, Drill&Lock® technology eliminates the need for messy, environmentally unfriendly adhesives and requires only mechanical retention to secure the tactile to the substrate. Drill&Lock® eliminates the waste from packaging, transport, application and cleanup that is created when using adhesives, reducing the overall environmental impact of the product. Drill&Lock® also allows the area to be opened to pedestrian traffic immediately after installation and requires just two simple steps: drill a hole, and lock in a tactile indicator. As part of CTA's Environmental policy, our installers recycle all packaging, water and materials used installing our products. Combining Drill&Lock® with CTA's complete range of interlocking installation templates will ensure that your installation is fully compliant with the relevant standards.

CTA has also developed the EasyAs® carpet installation system to overcome the unique challenges of carpet installs. This system drastically reduces the stress and cost associated with carpet installations without the messy adhesives.

APPLICATIONS

High volume traffic areas such as stairs, ramps, walkways and pedestrian thoroughfares along with areas where aesthetics are important such as building foyers and hotel lobbies. Suitable for internal and external applications.

DIMENSIONS

SureSteel® tactiles come in three sizes, please specify when ordering which size you require (Custom sizes also available):

- 1) Major diameter of 35mm and minor diameter of 25mm, Protrusion height of 5mm, the maximum to ensure longevity and optimum anti-slip **(Meets AUS/NZ Standards)**
- 2) Major diameter of 25mm and minor diameter of 16mm, Protrusion height of 5mm. **(Meets UK Standards)**
- 3) Major diameter of 22mm and minor diameter of 12mm, Protrusion height of 5mm.

Available with and without a fixing spigot ensuring retention to all substrates including carpet, concrete, timber, bitumen and tiles

SURESTEEL® CLASSIC



Packaging Size	460 x 165 x 135	Material	Stainless Steel
Quantity in Package	500	UV Stable	Yes
AS1428 Compliant	Yes	Warranty	10 Years
AS4586 - Wet Pendulum	62 / P5	Life Expectancy	25+ years
AS4586 - Oil-Wet Ramp	35.7° / R13	Indoor Use	Yes
NCC Compliant	Yes	Outdoor Use	Yes

PRODUCT OPTIONS

SureSteel® Classic all feature a Stainless Steel concentric ring top

AU/NZ	UK	USA	SIDE FACE	FIXING SYSTEM	PRODUCT CODE
•	•	•	Smooth	Flat base / Adhesive	CRS001
•	•	•	Smooth	6x13mm Spigot	CRS002
•			Smooth	Tapered Screw Hole	CRS003
•	•	•	Smooth	Drill&Lock® 20mm	CRS006
•	•	•	Smooth	Drill&Lock® 25mm	CRS007
•			Step	Flat base / Adhesive	CRST001
•			Step	6x13mm Spigot	CRST002
•			Step	Tapered Screw Hole	CRST003
•			Step	Drill&Lock® 20mm	CRST006
•			Step	Drill&Lock® 25mm	CRST007

SURESTEEL® CHIARO

Packaging Size	460 x 165 x 135
Quantity in Package	500
AS1428 Compliant	Yes
AS4586 - Wet Pendulum	64 / P5
AS4586 - Oil-Wet Ramp	35.7° / R13
NCC Compliant	Yes
UV Stable	Yes
Warranty	10 Years
Life Expectancy	25+ years
Indoor Use	Yes
Outdoor Use	Yes



PRODUCT OPTIONS

The SureSteel® Chiaro range feature the concentric ring top design, in a variety of finishes

AU/NZ	UK	USA	MATERIAL	SIDE FACE	FIXING SYSTEM	PRODUCT CODE
•	•	•	Brass	Smooth	Drill&Lock® 20mm	CRS006-B
•			Brass	Step	Drill&Lock® 20mm	CRST006-B
•			Brass	Step	Drill&Lock® 25mm	CRST007-B
•	•	•	Anodised Black	Smooth	Drill&Lock® 20mm	CRS006-160
•	•	•	Aluminium	Smooth	Drill&Lock® 20mm	CRS006-AL

CALL CTA ON 1300 282 282
TO ARRANGE A MEETING WITH A SALES CONSULTANT

VICTORIA 1300 282 282 NEW SOUTH WALES 1300 282 679 QUEENSLAND 1300 282 753 WA 1300 282 282



WWW.CTAGROUP.COM.AU

SURESTEEL® CARBORUNDUM



Packaging Size	460 x 165 x 135	Material	Stainless Steel
Quantity in Package	500	UV Stable	Yes
AS 1428 Compliant	Yes	Warranty	10 Years
AS4586 - Wet Pendulum	71 / P5	Life Expectancy	25+ years
AS4586 - Oil-Wet Ramp	37.4 / R13	Indoor Use	Yes
NCC Compliant	Yes	Outdoor Use	Yes

PRODUCT OPTIONS

SureSteel® Carborundum is a Stainless Steel tactile with a Carborundum infill top

AU/NZ	UK	USA	SIDE FACE	FIXING SYSTEM	COLOUR	PRODUCT CODE
•			Smooth	Flat base / Adhesive	Yellow	CIS001-SS-112
•			Smooth	Flat base / Adhesive	Black	CIS001-SS-160
•			Smooth	6x13mm Spigot	Yellow	CIS002-SS-112
•			Smooth	6x13mm Spigot	Black	CIS002-SS-160
•			Smooth	Drill&Lock® 20mm	Yellow	CIS006-SS-112
•			Smooth	Drill&Lock® 20mm	Black	CIS006-SS-160
•			Step	Flat base / Adhesive	Yellow	CIST001-SS-112
•			Step	Flat base / Adhesive	Black	CIST001-SS-160
•			Step	6x13mm Spigot	Yellow	CIST002-SS-112
•			Step	6x13mm Spigot	Black	CIST002-SS-160
•			Step	Drill&Lock® 20mm	Yellow	CIST006-SS-112
•			Step	Drill&Lock® 20mm	Black	CIST006-SS-160

SURESTEEL® UK



PRODUCT OPTIONS

SureSteel® UK - Stainless Steel tactiles with a variety of top finishes specially designed for the UK market

AU/NZ	UK	USA	TOP	SIDE FACE	FIXING SYSTEM	PRODUCT CODE
•			Smooth	Smooth	Drill&Lock® 20mm	CSS006-BS
•			Smooth	Ridge	Drill&Lock® 20mm	CSR006-BS
•			Crosshatch	Smooth	Drill&Lock® 20mm	CHS006-BS

CALL CTA ON 1300 282 282
TO ARRANGE A MEETING WITH A SALES CONSULTANT

VICTORIA 1300 282 282 NEW SOUTH WALES 1300 282 679 QUEENSLAND 1300 282 753 WA 1300 282 282

